

Kurat Enterprise

BALL VALVE

KURAT ENTERPRISE

Kurat range of Ball Valves comes in two-piece or three-piece design, with or without vent and various end connections as per customer's requirements. Various components used in the manufacture are machined to the exacting tolerances resulting in a very precise and accurate valve as a whole.

Bodies are so designed and machined that the handles are not blown off because of the load and the position of the handle shows the direction of flow. Various seat materials are used for different applications, pressure and temperatures. Glass filled Teflon, Delrin can be used as a seat material. Balls used are very precisely machined and lapped for ease of operation and low operating torques and also to give maximum results. Various port connections can be provided.

☛ FEATURES

- Full-ported design, which means an unrestricted, bore which results in low-pressure drop.
- Wide variety of end connections.
- Wide variety of material. of constructions
- Quarter turn quick manual actuation.
- Low operating torque.
- Strong and compact body construction.
- Handle indicates direction of flow.
- Optional vent porting.
- All valves are 100% factory tested prior to shipment.

☛ TYPES

- High Pressure Ball Valve : Series - H
Max. Std. Pressure - 6000 Psi (413 Bar)
- Low Pressure Ball Valve : Series - L
Max. Std. Pressure - 3000 Psi (207 Bar)
- Instrumentation Ball Valve : Series - I
Max. Std. Pressure - 3000 Psi (207 Bar)

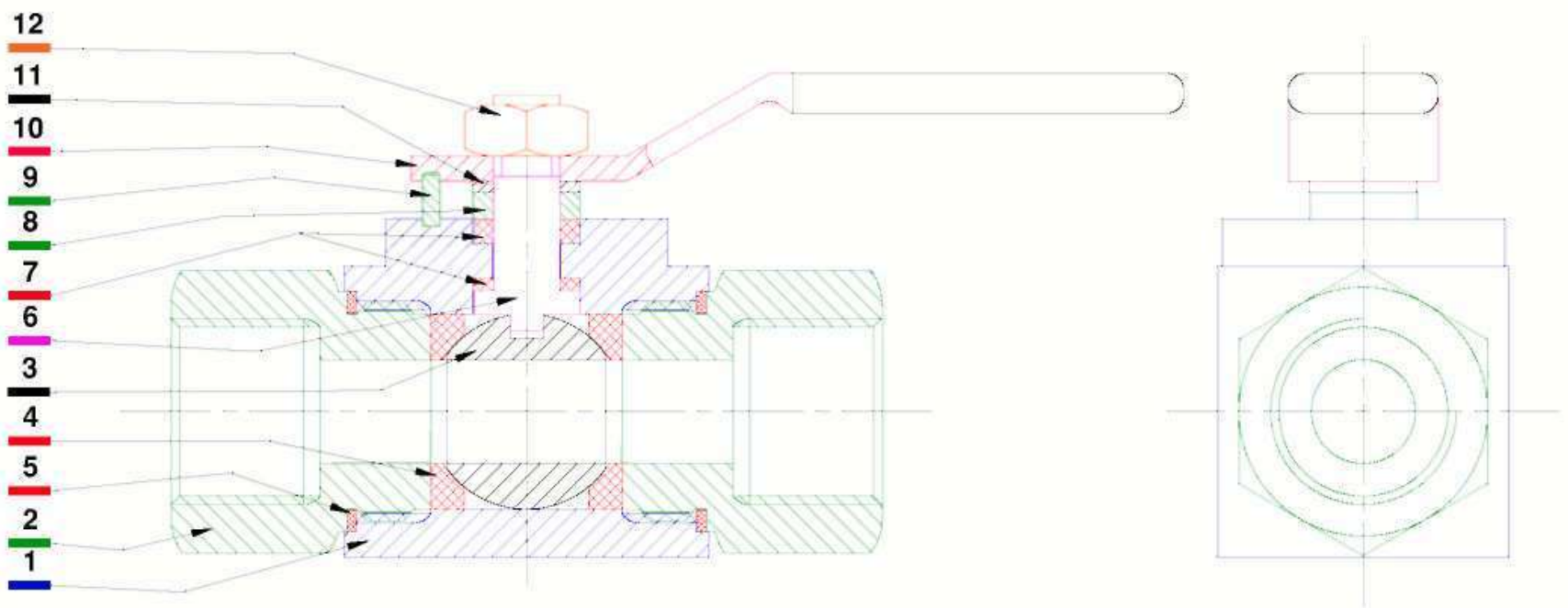
BALL VALVES

INDEX

HIGH PRESSURE BALL VALVE ; SERIES - H	
Construction and Specifications	Page 03
Dimensions	Page 04
LOW PRESSURE BALL VALVE ; SERIES - L	
Construction and Specifications	Page 05
Dimensions	Page 06
INSTRUMENTATION BALL VALVE ; SERIES -	
Construction and Specifications	Page 07
Dimensions	Page 08

KURAT ENTERPRISE

HIGH PRESSURE BALL VALVE : SERIES - H



MATERIALS OF CONSTRUCTION

NO.	PART DESCRIPTION	QTY.	MATERIAL SPECIFICATIONS	
			Stainless Steel	Carbon Steel
1	BODY	1	ASTM A 276 & A 479 -316	ASTM A 108
2	END CONNECTOR	2	ASTM A 276 & A 479 -316	ASTM A 108
3	BALL	1	ASTM A 276 & A 479 -316	ASTM A 276 & A 479 -316
4	STEM	1	ASTM A 276 & A 479 -316	ASTM A 276 & A 479 -316
5	BALL SEAT	2	PTFE / DELRIN	PTFE / DELRIN
6	CONNECTOR SEAL	2	PTFE / DELRIN	PTFE / DELRIN
7	STEM SEAL	2	PTFE / DELRIN	PTFE / DELRIN
8	STEM WASHER	1	ASTM A 276 & A 479 -316	ASTM A 276 & A 479 -316
9	LOCK PIN	1	ASTM A 276 & A 479 -304	ASTM A 108
10	HANDLE	1	POWDER COATED ASTM A 108 WITH P.V.C SLEEVES	
11	SPRING WASHER	1	SPRING STEEL	SPRING STEEL
12	LOCK NUT	1	ASTM A 276 & A 479 -304	ASTM A 276 & A 479 -304

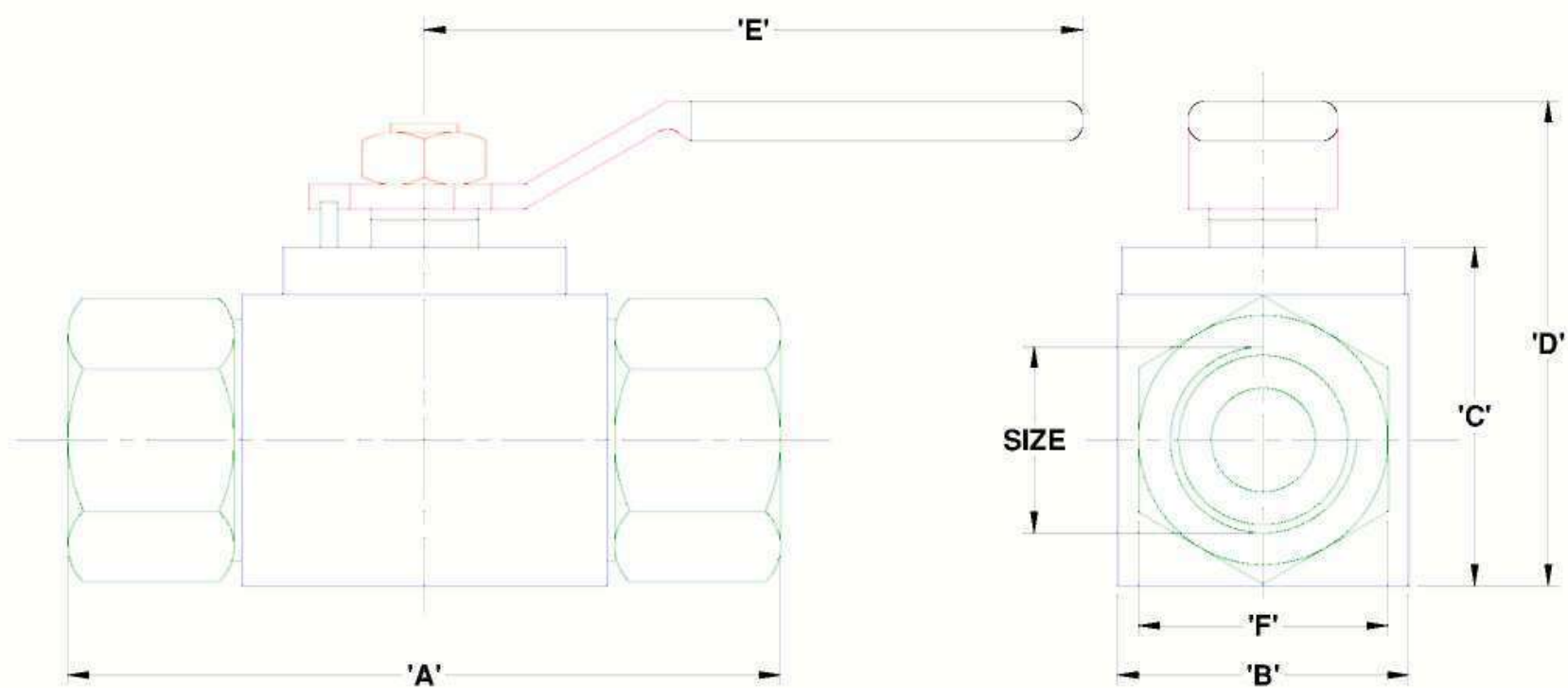
SPECIFICATION

- Port Size
1/4" to 1"
- End Ports
NPT, BSPT, BSP, Flanged End and Tube End Connections
- Max. Std. Pressure
6000 Psi (413 Bar)
- Optional Vent Porting

KURAT ENTERPRISE

KURAT ENTERPRISE

HIGH PRESSURE BALL VALVE : SERIES - H



DIMENSIONS

Dimensions for reference only and are subject to change.

Female ISO Parallel Pipe Threads X Female ISO Parallel Pipe Threads

END CONNECTION SIZE	A	B	C	D	E	F	PART NO.
	mm	mm	mm	mm	mm	mm	
1/4 " BSP (F)	70	25	35	75	115	22	4-HBV-G
3/8 " BSP (F)	73	30	38	79	115	27	6-HBV-G
1/2 " BSP (F)	85	38	45	82	120	30	8-HBV-G
3/4 " BSP (F)	96	48	57	120	180	41	12-HBV-G
1 " BSP (F)	114	55	63	126	180	50	16-HBV-G

NOTE : The part numbers given here are for BSP End Connections.

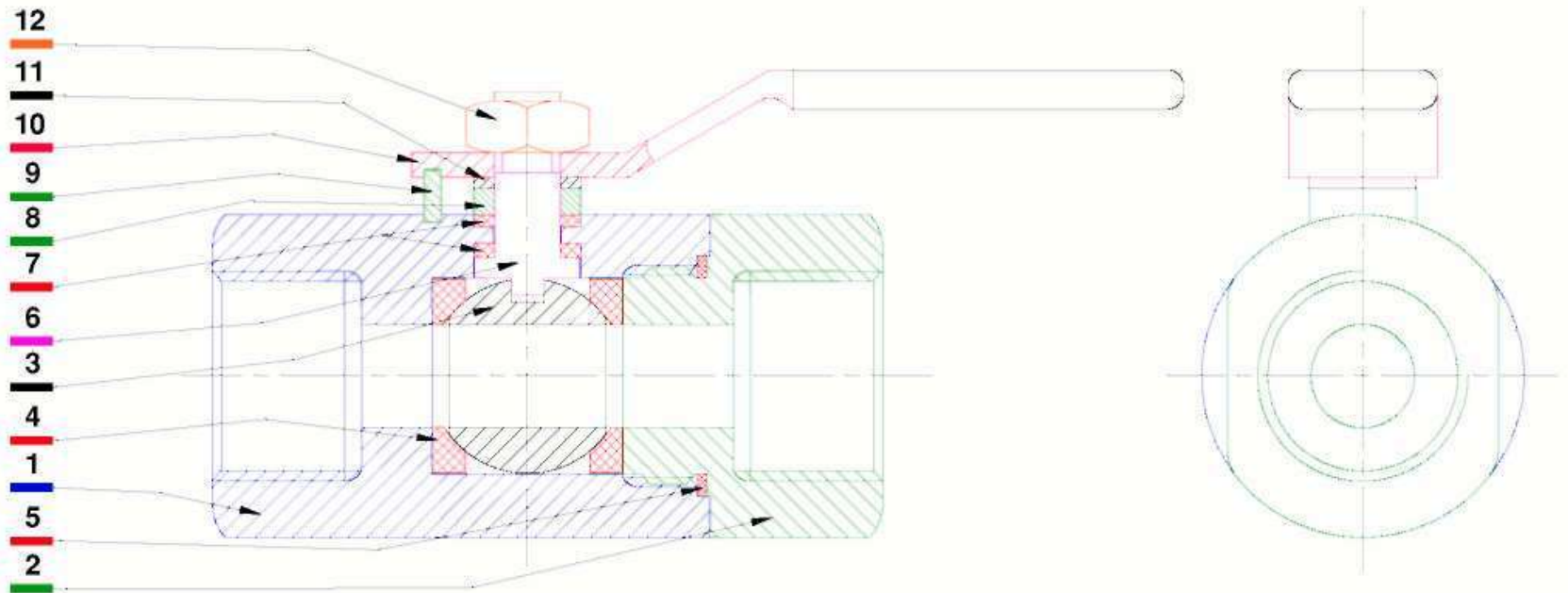
Corresponding part numbers for BSPT End Connections can be obtained by substituting 'R' for 'G'.

Corresponding part numbers for NPT End Connections can be obtained by substituting 'N' for 'G'.

KURAT ENTERPRISE

KURAT ENTERPRISE

LOW PRESSURE BALL VALVE : SERIES - L



MATERIALS OF CONSTRUCTION

NO.	PART DESCRIPTION	QTY.	MATERIAL SPECIFICATIONS	
			Stainless Steel	Carbon Steel
1	BODY	1	ASTM A 276 & A 479 -316	ASTM A 108
2	END CONNECTOR	1	ASTM A 276 & A 479 -316	ASTM A 108
3	BALL	1	ASTM A 276 & A 479 -316	ASTM A 276 & A 479 -316
4	STEM	1	ASTM A 276 & A 479 -316	ASTM A 276 & A 479 -316
5	BALL SEAT	2	PTFE / DELRIN	PTFE / DELRIN
6	CONNECTOR SEAL	1	PTFE / DELRIN	PTFE / DELRIN
7	STEM SEAL	2	PTFE / DELRIN	PTFE / DELRIN
8	STEM WASHER	1	ASTM A 276 & A 479 -316	ASTM A 276 & A 479 -316
9	LOCK PIN	1	ASTM A 276 & A 479 -304	ASTM A 108
10	HANDLE	1	POWDER COATED ASTM A 108 WITH P.V.C SLEEVES	
11	SPRING WASHER	1	SPRING STEEL	SPRING STEEL
12	LOCK NUT	1	ASTM A 276 & A 479 -304	ASTM A 276 & A 479 -304

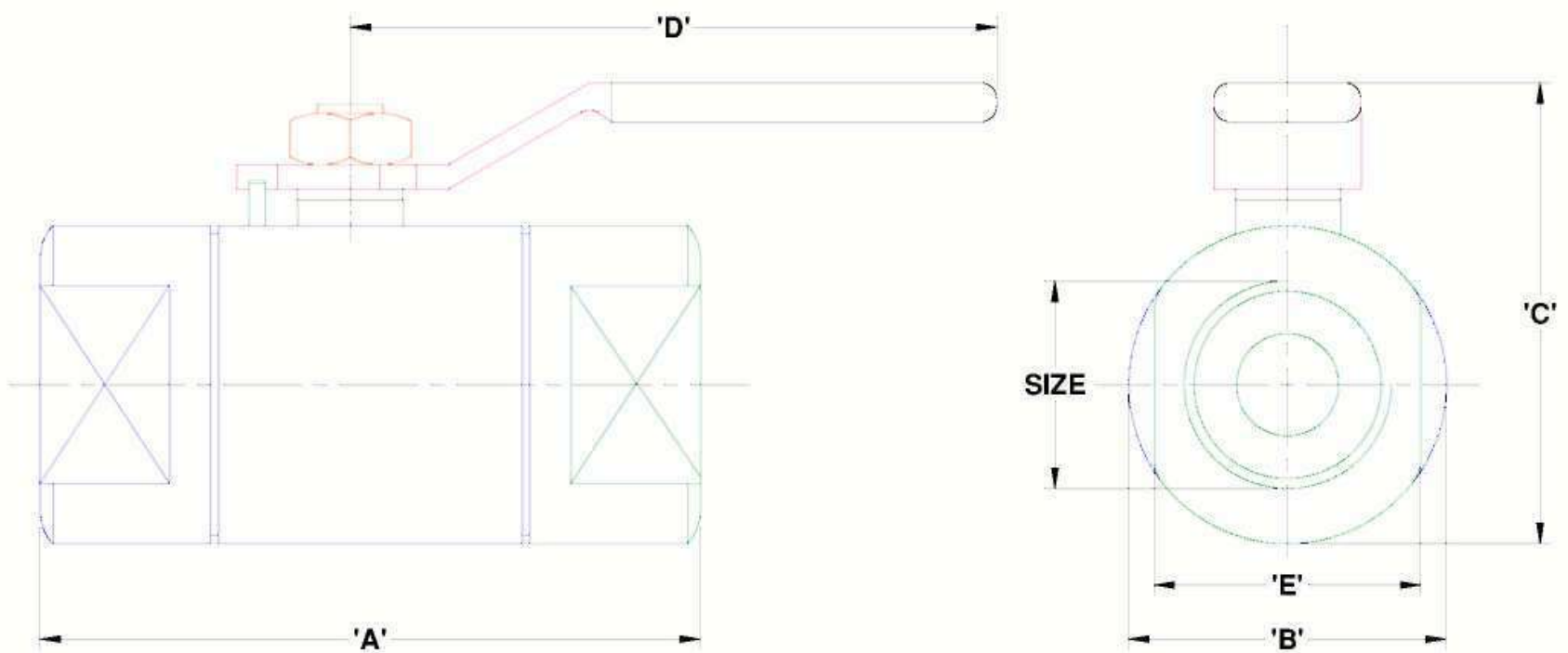
SPECIFICATION

- Port Size
1/4" to 1"
- End Ports
NPT, BSPT, BSP, Flanged End and Tube End Connections
- Max. Std. Pressure
3000 Psi (207 Bar)
- Optional Vent Porting

KURAT ENTERPRISE

KURAT ENTERPRISE

LOW PRESSURE BALL VALVE : SERIES - L



DIMENSIONS

Dimensions for reference only and are subject to change.

Female ISO Parallel Pipe Threads X Female ISO Parallel Pipe Threads

END CONNECTION SIZE	A	B	C	D	E	PART NO.
	mm	mm	mm	mm	mm	
1/4 " BSP (F)	70	25	65	115	22	4-LBV-G
3/8 " BSP (F)	73	30	71	115	27	6-LBV-G
1/2 " BSP (F)	85	38	75	120	30	8-LBV-G
3/4 " BSP (F)	96	48	111	180	41	12-LBV-G
1 " BSP (F)	114	55	118	180	50	16-LBV-G

NOTE : The part numbers given here are for BSP End Connections.

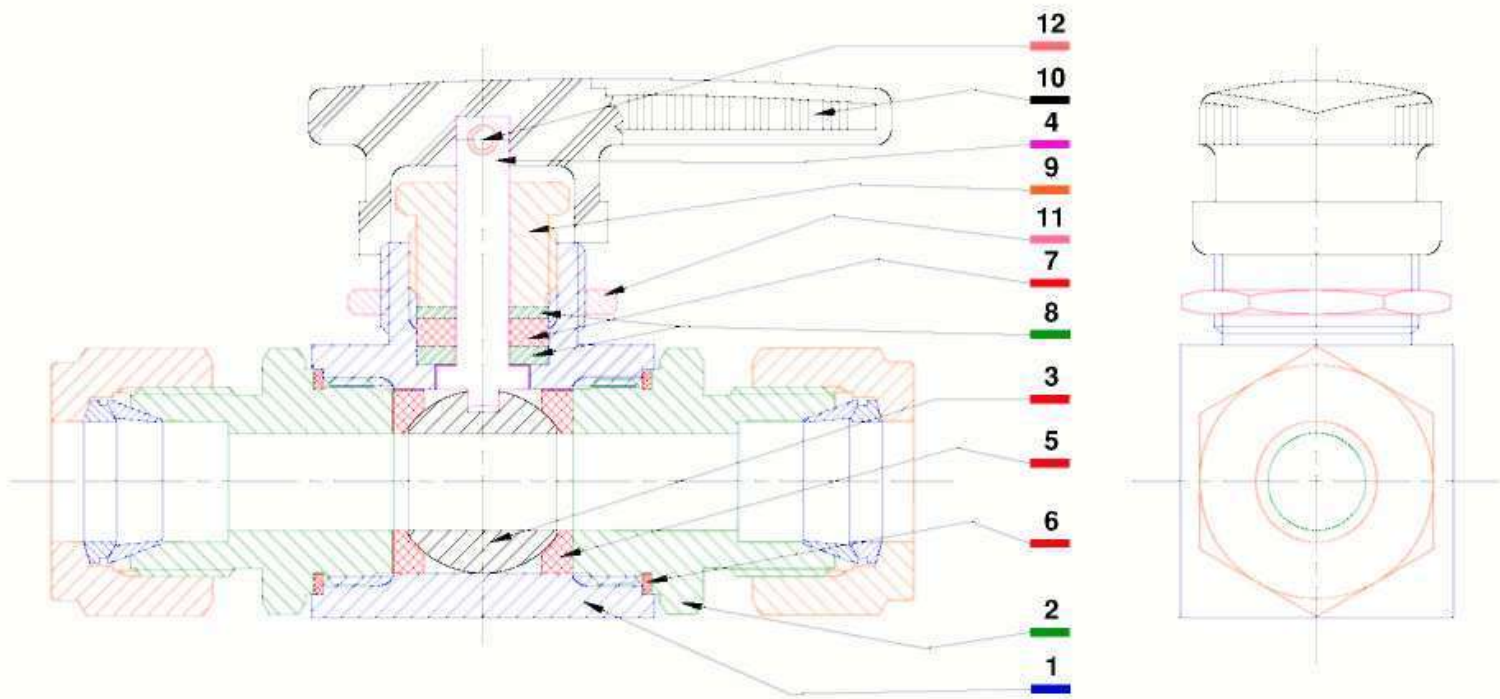
Corresponding part numbers for BSPT End Connections can be obtained by substituting 'R' for 'G'.

Corresponding part numbers for NPT End Connections can be obtained by substituting 'N' for 'G'.

KURAT ENTERPRISE

KURAT ENTERPRISE

INSTRUMENTATION BALL VALVE : SERIES - I



MATERIALS OF CONSTRUCTION

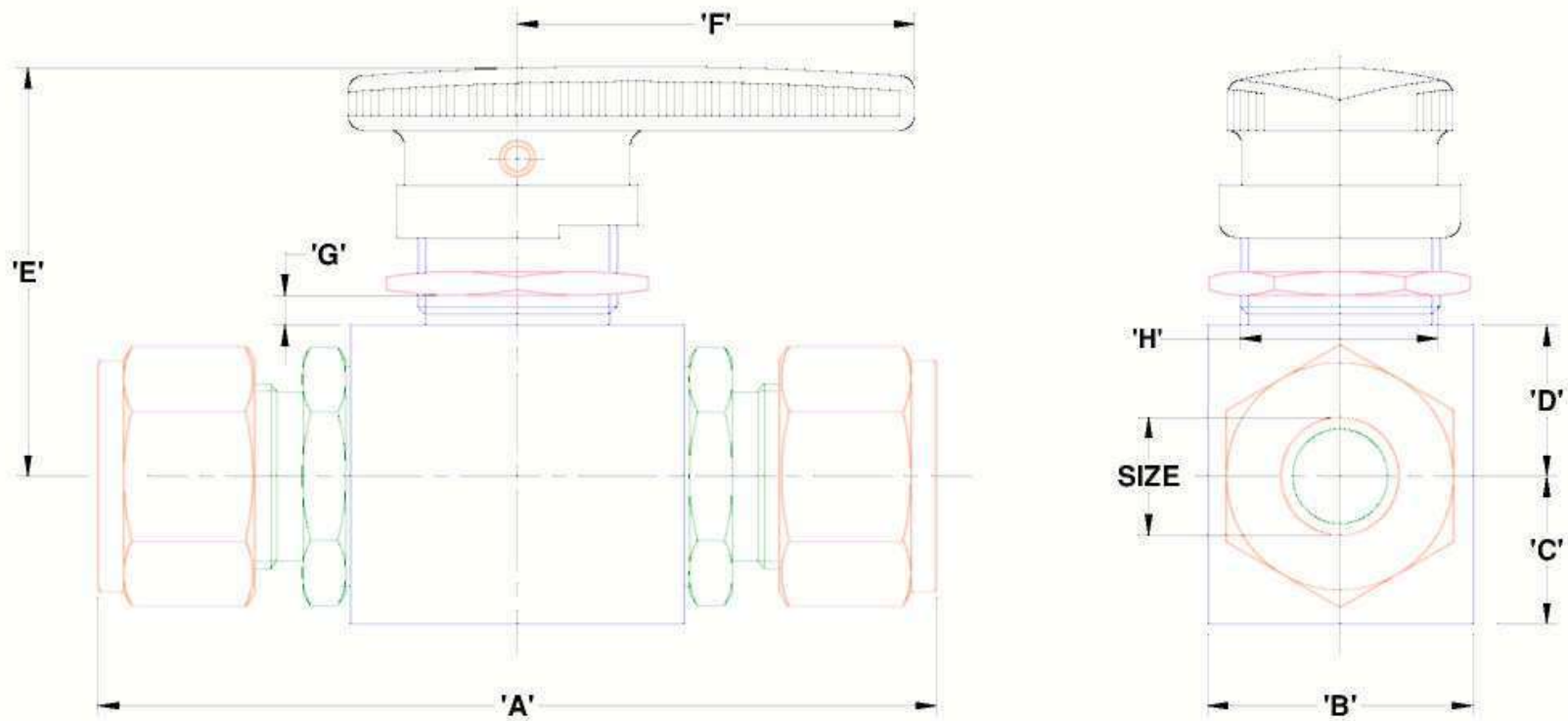
NO.	PART DESCRIPTION	QTY.	MATERIAL SPECIFICATIONS	
			Stainless Steel	Carbon Steel
1	BODY	1	ASTM A 276 & A 479 -316	ASTM A 108
2	END CONNECTOR	2	ASTM A 276 & A 479 -316	ASTM A 108
3	BALL	1	ASTM A 276 & A 479 -316	ASTM A 276 & A 479 -316
4	STEM	1	ASTM A 276 & A 479 -316	ASTM A 276 & A 479 -316
5	BALL SEAT	2	PTFE / DELRIN	PTFE / DELRIN
6	CONNECTOR SEAL	2	PTFE / DELRIN	PTFE / DELRIN
7	STEM SEAL	1	PTFE / DELRIN	PTFE / DELRIN
8	STEM WASHER	2	ASTM A 276 & A 479 -316	ASTM A 276 & A 479 -316
9	LOCK NUT	1	ASTM A 276 & A 479 -304	ASTM A 108
10	HANDLE	1	NYLON WITH BRASS INSERT	
11	PANEL NUT	1	ASTM A 276 & A 479 -304	ASTM A 276 & A 479 -304
12	GRUB SCREW	1	Stainless Steel	Stainless Steel

SPECIFICATION

- Port Size
1/4" to 3/4"
- Tube End Connections
Double Ferrule Compression Tube Fitting Type & Flareless Bite Type
- Max. Std. Pressure
3000 Psi (207 Bar)

KURAT ENTERPRISE

INSTRUMENTATION BALL VALVE : SERIES - I



DIMENSIONS

Dimensions for reference only and are subject to change.

INCH OD Tubes x INCH OD Tubes

END CONNECTION SIZE	A	B	C	D	E	F	G	H	PART NO.
	mm	mm	mm	mm	mm	mm	mm	mm	
1/4 " OD TUBE	25	30	17.5	12	51	38	6.4	24	4-IBV-D
3/8 " OD TUBE	25	30	17.5	12	51	38	6.4	24	6-IBV-D
1/2 " OD TUBE	25	38	17.5	21	71	63.5	9.7	36	8-IBV-D
3/4 " OD TUBE	38	38	17.5	21	71	63.5	9.7	36	12-IBV-D

NOTE : The part numbers given here are for Double Ferrule Compression Tube Connections. Corresponding part numbers for Flareless Bite Type Connections can be obtained by removing 'D'.

KURAT ENTERPRISE

67/69, Jubilee Bldg., Ground Floor, Opposite Kalyan Bldg., P.B. Marg,
Near Navjeevan Society, Grant Road, Mumbai – 400 008. India.
Tel: +9122 2300214 Fax: +9122 23002114
Email: infokurat@gmail.com, instrumentfittings@gmail.com
Website: <http://www.kuratentp.com> <http://www.instrumentationfittings.com>